



创军人荣耀 筑世界和平  
Military Glory World Peace



第七届世界军人运动会  
7TH CISM MILITARY WORLD GAMES

# 成绩册

RESULTS

摔跤  
WRESTLING

第七届世界军人运动会摔跤竞赛委员会

WRESTLING COMPETITION MANAGEMENT COMMITTEE OF THE 7TH CISM MILITARY WORLD GAMES

第七届世界军人运动会摔跤竞赛委员会

WRESTLING COMPETITION MANAGEMENT COMMITTEE OF THE 7TH CISM MILITARY WORLD GAMES

### Competition Sheet 比赛对阵图

1/8 Finals		1/4 Finals		Semifinals		Finals	
6 MWAZEMBE S TAN		6 MWAZEMBE S TAN	0/0	12 ANDREI D ROU	4/10 VSU	12 ANDREI D ROU	0/2
- BYE -							
12 ANDREI D ROU		12 ANDREI D ROU	4/10 VSU	35 NOWRY M USA	0/0		
- BYE -							
13 KHERBACHE A ALG		13 KHERBACHE A ALG	0/0	42 YATSENKO A UKR	5/2 VFA		
- BYE -							
35 NOWRY M USA		35 NOWRY M USA	4/11 VSU	42 YATSENKO A UKR	1/6		
- BYE -							
42 YATSENKO A UKR		42 YATSENKO A UKR	5/2 VFA	60 TAMBI NFORSONG RO. CMR	3/5 VPO1		
- BYE -							
60 TAMBI NFORSONG RO. CMR	3/5 VPO1	60 TAMBI NFORSONG RO. CMR	0/0	63 SON S KOR	1/1		
63 SON S KOR	1/1						
78 PAK UG PRK	4/10 VSU	78 PAK UG PRK	3/8 VPO	78 PAK UG PRK	3/14 VPO1		
85 KHRAIWESH M PLE	0/0						
88 AMIRASLANOV M AZE	0/0						
97 LEHR HJJ GER	5/0 VFO	97 LEHR HJJ GER	0/0				

Draw number	Classification points	
1	LASTNAME Firstname NOC	3/5 VPO
	Technical points	Victory type

<b>Gold</b>	
78	PAK UG PRK
<b>Silver</b>	
12	ANDREI D ROU

#### Repechage

<b>Upper Branch</b>	- BYE -	6 MWAZEMBE S TAN	0/0	<b>Bronze</b>
				35 NOWRY M USA
<b>Lower Branch</b>	85 KHRAIWESH M PLE	0/0		
	97 LEHR HJJ GER	4/10 VSU	3/15 VPO1	<b>Bronze</b>
				97 LEHR HJJ GER
	42 YATSENKO A UKR	1/6		

CLASSIFICATION		
1	PAK UG	PRK
2	ANDREI D	ROU
3	NOWRY M	USA
3	LEHR HJJ	GER
5	MWAZEMBE S	TAN
5	YATSENKO A	UKR
7	TAMBI NFORSONG RO.	CMR
8	SON S	KOR
9	AMIRASLANOV M	AZE
10	KHERBACHE A	ALG
11	KHRAIWESH M	PLE



WUHAN 2019  
7th CISM Military World Games

MON 21 OCT 2019



### Final Classification

#### 项目总排名

Rank	Name	Nation Code	CP	VFA	VSU	VPO	VPO Given	Draw No.
1	PAK UG	PRK	15	1	1	34	8	78
2	ANDREI D	ROU	8	0	2	22	2	12
3	NOWRY M	USA	9	0	1	11	10	35
3	LEHR HJJ	GER	12	0	1	25	14	97
5	MWAZEMBE S	TAN	0	0	0	0	10	6
5	YATSENKO A	UKR	7	1	0	14	29	42
7	TAMBI NFORSONG RO.	CMR	3	0	0	5	3	60
8	SON S	KOR	1	0	0	1	5	63
9	AMIRASLANOV M	AZE	0	0	0	0	0	88
10	KHERBACHE A	ALG	0	0	0	0	11	13
11	KHRAIWESH M	PLE	0	0	0	0	20	85

Legend:			
CP	Classification Points	VSU	Great Superiority - a difference of 6 points - the loser without point
VPO	Technical Points obtained	VPO Given	Technical Points given
VFA	Victory by Fall		

## Competition Sheet

### 比赛对阵图

Qualifications		1/8 Finals		1/4 Finals		Semifinals		Finals	
1 BATCHULUU N B MGL		1 BATCHULUU N B MGL	1 6	2 GEORGE B ROU	0 0	4 TOREBEK B KAZ	0 0	10 RASHIDOV G RUS	4 10 VSU
- BYE -		2 GEORGE B ROU	3 9 VPO1	4 TOREBEK B KAZ	5 5 VFA	10 RASHIDOV G RUS	4 10 VSU		
2 GEORGE B ROU		3 CHARLES FERNANDO D SRI	0 0	5 TIAN Z CHN	0 0	10 RASHIDOV G RUS	4 10 VSU	10 RASHIDOV G RUS	4 10 VSU
- BYE -		4 TOREBEK B KAZ	5 2 VFA	7 STRAKH M BLR	0 0	11 KIM HS PRK	3 2 VPO1		
3 CHARLES FERNANDO D SRI		5 TIAN Z CHN	4 11 VSU	8 HEMRAYEV G TKM	0 0	12 SHEIKHI M IRI	1 2	11 KIM HS PRK	0 0
- BYE -		7 STRAKH M BLR	0 0	10 RASHIDOV G RUS	4 11 VSU	14 JOHNSON J USA	1 2		
4 TOREBEK B KAZ		8 HEMRAYEV G TKM	0 0	10 RASHIDOV G RUS	4 11 VSU	15 BIENKOWSKI K POL	1 1	15 BIENKOWSKI K POL	3 6 VPO1
- BYE -		10 RASHIDOV G RUS	4 10 VSU	11 KIM HS PRK	4 13 VSU1	17 KILICSALLAY AN S TUR	4 12 VSU1		
5 TIAN Z CHN		10 RASHIDOV G RUS	4 10 VSU	11 KIM HS PRK	3 2 VPO1	17 KILICSALLAY AN S TUR	0 0	17 KILICSALLAY AN S TUR	0 0
- BYE -		11 KIM HS PRK	4 13 VSU1	12 SHEIKHI M IRI	1 2	18 MONTY MBOUGOU CMR	0 0		
7 STRAKH M BLR		12 SHEIKHI M IRI	1 2	14 JOHNSON J USA	1 2	19 KARAPETYA N V ARM	4 12 VSU	19 KARAPETYA N V ARM	4 12 VSU
- BYE -		14 JOHNSON J USA	1 2	15 BIENKOWSKI K POL	3 6 VPO1	20 KIM Y KOR	1 3		
8 HEMRAYEV G TKM		15 BIENKOWSKI K POL	3 6 VPO1	15 BIENKOWSKI K POL	1 1	21 HARFUL IND	3 6 VPO1	21 HARFUL IND	0 0
- BYE -		17 KILICSALLAY AN S TUR	4 12 VSU1	17 KILICSALLAY AN S TUR	0 0	23 KAKIZIBA J TAN	0 0		
10 RASHIDOV G RUS		17 KILICSALLAY AN S TUR	4 12 VSU1	19 KARAPETYA N V ARM	1 1	24 SHUPTAR V UKR	5 4 VFA	24 SHUPTAR V UKR	4 11 VSU
- BYE -		19 KARAPETYA N V ARM	4 12 VSU	20 KIM Y KOR	1 3	24 SHUPTAR V UKR	5 4 VFA		
11 KIM HS PRK		20 KIM Y KOR	1 3	21 HARFUL IND	3 6 VPO1	24 SHUPTAR V UKR	4 10 VSU	24 SHUPTAR V UKR	3 8 VPO
- BYE -		21 HARFUL IND	3 6 VPO1	23 KAKIZIBA J TAN	0 0	24 SHUPTAR V UKR	4 10 VSU		
12 SHEIKHI M IRI		23 KAKIZIBA J TAN	0 0	24 SHUPTAR V UKR	5 4 VFA			24 SHUPTAR V UKR	0 0
- BYE -		24 SHUPTAR V UKR	5 4 VFA						

Draw number	Classification points
1 LASTNAME Firstname NOC	3 5 VPO
Technical points	Victory type

<b>Gold</b>
10 RASHIDOV G RUS
<b>Silver</b>
24 SHUPTAR V UKR

## Competition Sheet

### 比赛对阵图

Repechage				CLASSIFICATION	
				1 RASHIDOV G RUS	
				2 SHUPTAR V UKR	
				3 TIAN Z CHN	
				3 KILICSALLAYAN S TUR	
				5 TOREBEK B KAZ	
				5 KIM HS PRK	
				7 HARFUL IND	
				8 KARAPETYAN V ARM	
				9 BIENKOWSKI K POL	
				10 GEORGE B ROU	
				11 BATCHULUUN B MGL	
				12 KIM Y KOR	
				13 JOHNSON J USA	
				14 SHEIKHI M IRI	
				15 STICKER Q FRA	
				16 CHARLES FERNANDO D SRI	
				17 KAKIZIBA J TAN	
				18 STRAKH M BLR	
				19 MONTY MBOUGOU CMR	
				20 HEMRAYEV G TKM	

Repechage				CLASSIFICATION	
				1 RASHIDOV G RUS	
				2 SHUPTAR V UKR	
				3 TIAN Z CHN	
				3 KILICSALLAYAN S TUR	
				5 TOREBEK B KAZ	
				5 KIM HS PRK	
				7 HARFUL IND	
				8 KARAPETYAN V ARM	
				9 BIENKOWSKI K POL	
				10 GEORGE B ROU	
				11 BATCHULUUN B MGL	
				12 KIM Y KOR	
				13 JOHNSON J USA	
				14 SHEIKHI M IRI	
				15 STICKER Q FRA	
				16 CHARLES FERNANDO D SRI	
				17 KAKIZIBA J TAN	
				18 STRAKH M BLR	
				19 MONTY MBOUGOU CMR	
				20 HEMRAYEV G TKM	



WUHAN 2019  
7th CISM Military World Games

MON 21 OCT 2019



CISM

## Final Classification

### 项目总排名

Rank	Name	Nation Code	CP	VFA	VSU	VPO	VPO Given	Draw No.
1	RASHIDOV G	RUS	16	0	4	41	0	10
2	SHUPTAR V	UKR	16	1	2	33	10	24
3	TIAN Z	CHN	12	0	3	34	13	5
3	KILICSALLAYAN S	TUR	14	0	2	38	22	17
5	TOREBEK B	KAZ	11	2	0	9	22	4
5	KIM HS	PRK	8	0	1	19	16	11
7	HARFUL	IND	9	0	0	11	22	21
8	KARAPETYAN V	ARM	5	0	1	13	12	19
9	BIENKOWSKI K	POL	4	0	0	7	4	15
10	GEORGE B	ROU	3	0	0	9	11	2
11	BATCHULUUN B	MGL	1	0	0	6	9	1
12	KIM Y	KOR	1	0	0	3	6	20
13	JOHNSON J	USA	1	0	0	2	6	14
14	SHEIKHI M	IRI	1	0	0	2	13	12
15	STICKER Q	FRA	1	0	0	2	13	16
16	CHARLES FERNANDO D	SRI	0	0	0	0	2	3
17	KAKIZIBA J	TAN	0	0	0	0	4	23
18	STRAKH M	BLR	0	0	0	0	11	7
19	MONTY MBOUGOU	CMR	0	0	0	0	12	18
20	HEMRAYEV G	TKM	0	0	0	0	21	8

#### Legend:

CP	Classification Points	VSU	Great Superiority - a difference of 6 points - the loser without point
VPO	Technical Points obtained	VPO Given	Technical Points given
VFA	Victory by Fall		

## Competition Sheet

### 比赛对阵图

Qualifications		1/8 Finals		1/4 Finals		Semifinals		Finals	
1 MBIA JEAN DANIEL CMR		1 MBIA JEAN DANIEL CMR	0/0	3 GANZORIG M MGL	1/2	6 LEE S KOR	1/1	8 KAIPANOV N KAZ	0/0
- BYE -									
3 GANZORIG M MGL		3 GANZORIG M MGL	5/3 VFA	6 LEE S KOR	3/2 VPO1	8 KAIPANOV N KAZ	3/5 VPO1	8 KAIPANOV N KAZ	0/0
- BYE -									
5 IBRAHIM AIA QAT		5 IBRAHIM AIA QAT	1/1	8 KAIPANOV N KAZ	4/12 VSU1	8 KAIPANOV N KAZ	3/5 VPO1	8 KAIPANOV N KAZ	0/0
- BYE -									
6 LEE S KOR		6 LEE S KOR	4/12 VSU1	8 KAIPANOV N KAZ	4/12 VSU1	8 KAIPANOV N KAZ	3/5 VPO1	8 KAIPANOV N KAZ	0/0
- BYE -									
8 KAIPANOV N KAZ		8 KAIPANOV N KAZ	4/14 VSU1	8 KAIPANOV N KAZ	4/12 VSU1	8 KAIPANOV N KAZ	3/5 VPO1	8 KAIPANOV N KAZ	0/0
- BYE -									
9 MUSTAFAYE V A AZE		9 MUSTAFAYE V A AZE	1/4	10 KARPACH A BLR	3/10 VPO1	8 KAIPANOV N KAZ	3/5 VPO1	8 KAIPANOV N KAZ	0/0
- BYE -									
10 KARPACH A BLR		10 KARPACH A BLR	3/10 VPO1	10 KARPACH A BLR	1/2	8 KAIPANOV N KAZ	3/5 VPO1	8 KAIPANOV N KAZ	0/0
- BYE -									
11 STEINFORTH JC GER		11 STEINFORTH JC GER	1/4	10 KARPACH A BLR	1/2	8 KAIPANOV N KAZ	3/5 VPO1	8 KAIPANOV N KAZ	0/0
- BYE -									
12 LANDA J PER		12 LANDA J PER	0/0	13 TSABOLOV K RUS	3/6 VPO1	13 TSABOLOV K RUS	4/12 VSU1	13 TSABOLOV K RUS	4/12 VSU
- BYE -									
13 TSABOLOV K RUS		13 TSABOLOV K RUS	4/10 VSU	13 TSABOLOV K RUS	3/6 VPO1	13 TSABOLOV K RUS	4/12 VSU1	13 TSABOLOV K RUS	4/12 VSU
- BYE -									
14 VINOD KUMAR OMPRA IND	3/11 VPO1	14 VINOD KUMAR OMPRA IND	0/0	17 DEMIRTAS S TUR	1/6	13 TSABOLOV K RUS	4/12 VSU1	13 TSABOLOV K RUS	4/12 VSU
15 NGO TS VIE	1/10								
16 SIMONYAN R ARM	1/1	17 DEMIRTAS S TUR	4/11 VSU	17 DEMIRTAS S TUR	1/6	13 TSABOLOV K RUS	4/12 VSU1	13 TSABOLOV K RUS	4/12 VSU
17 DEMIRTAS S TUR	4/11 VSU1								
18 KAMWELA M TAN	0/0	19 AMIN S EGY	1/2	20 KHADJIEV Z FRA	3/14 VPO1	20 KHADJIEV Z FRA	1/2	13 TSABOLOV K RUS	4/12 VSU
19 AMIN S EGY	5/0 DSQ								
20 KHADJIEV Z FRA	3/3 VPO1	20 KHADJIEV Z FRA	3/8 VPO1	20 KHADJIEV Z FRA	3/14 VPO1	20 KHADJIEV Z FRA	1/2	13 TSABOLOV K RUS	4/12 VSU
21 KIROV M BUL	1/2								
22 GOLUBEVS P LAT	0/0	23 KIM WB PRK	4/10 VSU	23 KIM WB PRK	1/6	20 KHADJIEV Z FRA	1/2	13 TSABOLOV K RUS	4/12 VSU
23 KIM WB PRK	4/10 VSU								
24 WIJESOORIY A MUDIY. SRI	0/0	25 MAXIM V ROU	0/0	23 KIM WB PRK	1/6	20 KHADJIEV Z FRA	1/2	13 TSABOLOV K RUS	4/12 VSU
25 MAXIM V ROU	4/10 VSU								

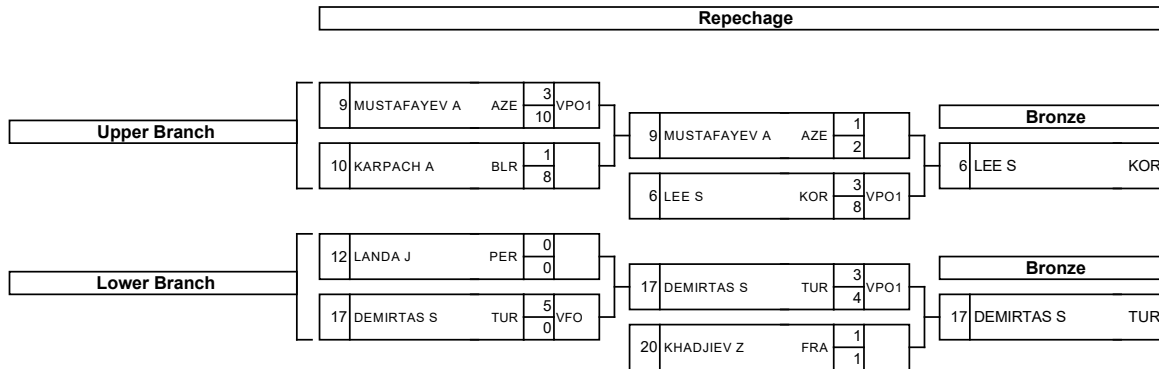
Draw number	Classification points	
1	LASTNAME Firstname NOC	3/5 VPO
Technical points		Victory type

**Gold**  
13 TSABOLOV K RUS

**Silver**  
8 KAIPANOV N KAZ

## Competition Sheet

### 比赛对阵图



CLASSIFICATION	
1	TSABOLOV K RUS
2	KAIPANOV N KAZ
3	LEE S KOR
3	DEMIRTAS S TUR
5	MUSTAFAYEV A AZE
5	KHADJIEV Z FRA
7	KIM WB PRK
8	GANZORIG M MGL
9	KARPACH A BLR
10	AMIN S EGY
11	MAXIM V ROU
12	VINOD KUMAR OMPRA. IND
13	NGO TS VIE
14	STEINFORTH JC GER
15	KIROV M BUL
16	SIMONYAN R ARM
17	IBRAHIM AIA QAT
18	KAMWELA M TAN
19	MBIA JEAN DANIEL CMR
20	GOLUBEVS P LAT
21	LANDA J PER
22	WIJESOORIYA MUDIY. SRI





WUHAN 2019  
7th CISM Military World Games

MON 21 OCT 2019



## Final Classification

### 项目总排名

Rank	Name	Nation Code	CP	VFA	VSU	VPO	VPO Given	Draw No.
1	TSABOLOV K	RUS	15	0	3	40	8	13
2	KAIPANOV N	KAZ	11	0	2	31	19	8
3	LEE S	KOR	11	0	1	23	10	6
3	DEMIRTAS S	TUR	17	0	2	32	8	17
5	MUSTAFAYEV A	AZE	5	0	0	16	30	9
5	KHADJIEV Z	FRA	11	0	0	28	26	20
7	KIM WB	PRK	9	0	2	26	14	23
8	GANZORIG M	MGL	6	1	0	5	2	3
9	KARPACH A	BLR	5	0	0	20	26	10
10	AMIN S	EGY	5	0	0	2	8	19
11	MAXIM V	ROU	4	0	1	10	10	25
12	VINOD KUMAR OMPRA.	IND	3	0	0	11	21	14
13	NGO TS	VIE	1	0	0	10	11	15
14	STEINFORTH JC	GER	1	0	0	4	10	11
15	KIROV M	BUL	1	0	0	2	3	21
16	SIMONYAN R	ARM	1	0	0	1	11	16
17	IBRAHIM AIA	QAT	1	0	0	1	12	5
18	KAMWELA M	TAN	0	0	0	0	0	18
19	MBIA JEAN DANIEL	CMR	0	0	0	0	3	1
20	GOLUBEVS P	LAT	0	0	0	0	10	22
21	LANDA J	PER	0	0	0	0	10	12
22	WIJESOORIYA MUDIY.	SRI	0	0	0	0	10	24

Legend:		
CP	Classification Points	VSU
VPO	Technical Points obtained	VPO Given
VFA	Victory by Fall	Great Superiority - a difference of 6 points - the loser without point
		Technical Points given

Competition Sheet  
比赛对阵图

Qualifications		1/8 Finals		1/4 Finals		Semifinals		Finals												
1	ORGODOL U MGL			1	ORGODOL U MGL	5/5	VFA	<table border="1"> <tr> <td colspan="2">Draw number</td> <td colspan="2">Classification points</td> </tr> <tr> <td>1</td> <td>LASTNAME Firstname</td> <td>NOC</td> <td>3/5</td> </tr> <tr> <td colspan="2">Technical points</td> <td colspan="2">Victory type</td> </tr> </table>	Draw number		Classification points		1	LASTNAME Firstname	NOC	3/5	Technical points		Victory type	
Draw number		Classification points																		
1	LASTNAME Firstname	NOC	3/5																	
Technical points		Victory type																		
-	BYE -			2	MARCINKIEW ICZ R	0/1														
2	MARCINKIEW ICZ R			4	HATOS G HUN	3/3	VPO1													
-	BYE -			5	XU D CHN	1/1														
4	HATOS G HUN			6	WARUNAKUL ASURIYA .	0/0														
-	BYE -			7	MARKOSYAN M	4/10	VSU													
5	XU D CHN			8	ABOSSOLO CEDRIC	0/0														
-	BYE -			9	DUDAROV AR	4/10	VSU													
6	WARUNAKUL ASURIYA .			10	DAVLUMBAY EV A	3/8	VPO1													
-	BYE -			12	ISMAIL K EGY	1/2														
7	MARKOSYAN M			13	ROCHA P BRA	0/0														
-	BYE -			14	AL ASTA MFA	3/2	VPO													
8	ABOSSOLO CEDRIC			14	AL ASTA MFA	0/0														
-	BYE -			17	AL SOURI M LBN	0/0														
9	DUDAROV AR			18	LEE S KOR	5/0	DSQ													
-	BYE -			19	BAZRI A IRI	1/3														
10	DAVLUMBAY EV A			20	NAIFONOV A RUS	3/6	VPO1													
-	BYE -			22	SYLLA AT GUI	4/10	VSU													
12	ISMAIL K EGY			23	MGANGA H TAN	0/0														
-	BYE -			24	AIBUEV A FRA	3/4	VPO1													
13	ROCHA P BRA			25	REICHMUTH S	1/3														
-	BYE -																			
14	AL ASTA MFA																			
-	BYE -																			
17	AL SOURI M LBN																			
18	LEE S KOR																			
19	BAZRI A IRI																			
20	NAIFONOV A RUS																			
22	SYLLA AT GUI																			
23	MGANGA H TAN																			
24	AIBUEV A FRA																			
25	REICHMUTH S																			

**Gold**  
20 NAIFONOV A RUS

**Silver**  
9 DUDAROV AR GER

### Competition Sheet

#### 比赛对阵图

Repechage				CLASSIFICATION	
				1 NAIFONOV A RUS	
				2 DUDAROV AR GER	
				3 MARKOSYAN M ARM	
				3 BAZRI A IRI	
				5 ORGODOL U MGL	
				5 DAVLUMBAYEV A KAZ	
				7 AIBUEV A FRA	
				8 LEE S KOR	
				9 SYLLA AT GUI	
				10 HATOS G HUN	
				11 AL ASTA MFA SYR	
				12 REICHMUTH S SUI	
				13 ISMAIL K EGY	
				14 XU D CHN	
				15 MARCINKIEWICZ R POL	
				16 AL SOURI M LBN	
				17 ROCHA P BRA	
				18 MGANGA H TAN	
				19 WARUNAKULASURIYA SRI	
				20 ABOSSOLO CEDRIC CMR	

Upper Branch				Lower Branch	
- BYE -				19 BAZRI A IRI 4/10 VSU	
8 ABOSSOLO CEDRIC CMR				18 LEE S KOR 0/0	
8 ABOSSOLO CEDRIC CMR 0/0				19 BAZRI A IRI 3/7 VPO1	
7 MARKOSYAN M ARM 4/10 VSU				24 AIBUEV A FRA 1/2	
7 MARKOSYAN M ARM 3/10 VPO1				19 BAZRI A IRI 3/14 VPO1	
1 ORGODOL U MGL 1/10				10 DAVLUMBAYEV A KAZ 1/5	
7 MARKOSYAN M ARM				19 BAZRI A IRI	
Bronze				Bronze	



WUHAN 2019  
7th CISM Military World Games

MON 21 OCT 2019



## Final Classification

### 项目总排名

Rank	Name	Nation Code	CP	VFA	VSU	VPO	VPO Given	Draw No.
1	NAIFONOV A	RUS	18	0	3	47	5	20
2	DUDAROV AR	GER	11	0	2	25	11	9
3	MARKOSYAN M	ARM	11	0	2	30	21	7
3	BAZRI A	IRI	11	0	1	34	13	19
5	ORGODOL U	MGL	10	1	0	23	15	1
5	DAVLUMBAYEV A	KAZ	9	0	1	25	29	10
7	AIBUEV A	FRA	8	1	0	17	17	24
8	LEE S	KOR	5	0	0	0	21	18
9	SYLLA AT	GUI	4	0	1	10	11	22
10	HATOS G	HUN	3	0	0	3	8	4
11	AL ASTA MFA	SYR	3	0	0	2	10	14
12	REICHMUTH S	SUI	1	0	0	3	4	25
13	ISMAIL K	EGY	1	0	0	2	8	12
14	XU D	CHN	1	0	0	1	3	5
15	MARCINKIEWICZ R	POL	0	0	0	1	5	2
16	AL SOURI M	LBN	0	0	0	0	0	17
17	ROCHA P	BRA	0	0	0	0	2	13
18	MGANGA H	TAN	0	0	0	0	10	23
19	WARUNAKULASURIYA .	SRI	0	0	0	0	10	6
20	ABOSSOLO CEDRIC	CMR	0	0	0	0	20	8

Legend:			
CP	Classification Points	VSU	Great Superiority - a difference of 6 points - the loser without point
VPO	Technical Points obtained	VPO Given	Technical Points given
VFA	Victory by Fall		

## Competition Sheet

### 比赛对阵图

Qualifications		1/8 Finals		1/4 Finals		Semifinals		Finals	
2	MOHAMMADI AN MH IRI	2	MOHAMMADI AN MH IRI	2	MOHAMMADI AN MH IRI	2	MOHAMMADI AN MH IRI	2	MOHAMMADI AN MH IRI
	- BYE -								
4	VLASOV A UKR	4	VLASOV A UKR	9	BAITSAEV V RUS	9	BAITSAEV V RUS	2	MOHAMMADI AN MH IRI
	- BYE -								
5	FARDJ M ALG	5	FARDJ M ALG	5	FARDJ M ALG	9	BAITSAEV V RUS	9	BAITSAEV V RUS
	- BYE -								
6	SHERIDAN L USA	6	SHERIDAN L USA	10	MICHAEL M ROU	10	MICHAEL M ROU	9	BAITSAEV V RUS
	- BYE -								
8	BARAN R POL	8	BARAN R POL	11	ANABA FRANCK CMR	11	ANABA FRANCK CMR	10	MICHAEL M ROU
	- BYE -								
9	BAITSAEV V RUS	9	BAITSAEV V RUS	12	SCHERRER S SUI	12	SCHERRER S SUI	13	HUSHTYN A BLR
	- BYE -								
10	MICHAEL M ROU	10	MICHAEL M ROU	13	HUSHTYN A BLR	13	HUSHTYN A BLR	13	HUSHTYN A BLR
	- BYE -								
11	ANABA FRANCK CMR	11	ANABA FRANCK CMR	14	OZOLINS OZOLS A LAT	14	OZOLINS OZOLS A LAT	15	YASARLI F TUR
	- BYE -								
12	SCHERRER S SUI	12	SCHERRER S SUI	15	YASARLI F TUR	15	YASARLI F TUR	16	MERGHANY H EGY
	- BYE -								
13	HUSHTYN A BLR	13	HUSHTYN A BLR	16	MERGHANY H EGY	16	MERGHANY H EGY	17	BAHETIHAN H CHN
	- BYE -								
14	OZOLINS OZOLS A LAT	14	OZOLINS OZOLS A LAT	17	BAHETIHAN H CHN	17	BAHETIHAN H CHN	20	CAMARA MS GUI
	- BYE -								
15	YASARLI F TUR	15	YASARLI F TUR	20	CAMARA MS GUI	20	CAMARA MS GUI	21	NGO VL VIE
	- BYE -								
16	MERGHANY H EGY	16	MERGHANY H EGY	21	NGO VL VIE	21	NGO VL VIE	24	ALIDINI A ALB
	- BYE -								
17	BAHETIHAN H CHN	17	BAHETIHAN H CHN	24	ALIDINI A ALB	24	ALIDINI A ALB		
	- BYE -								
20	CAMARA MS GUI	20	CAMARA MS GUI						
	- BYE -								
21	NGO VL VIE	21	NGO VL VIE						
	- BYE -								
24	ALIDINI A ALB	24	ALIDINI A ALB						
	- BYE -								

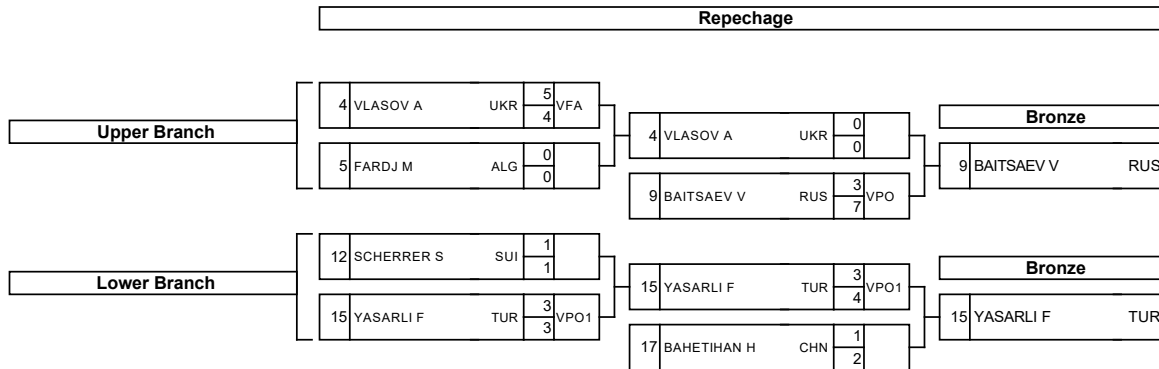
Draw number	Classification points	Technical points	Victory type
1	LASTNAME Firstname NOC	3/5	VPO

Medal	Rank	Name	NOC
Gold	2	MOHAMMADI AN MH	IRI
Silver	13	HUSHTYN A	BLR

## Competition Sheet

### 比赛对阵图



CLASSIFICATION	
1	MOHAMMADIAN MH IRI
2	HUSHTYN A BLR
3	BAITSAEV V RUS
3	YASARLI F TUR
5	VLASOV A UKR
5	BAHETIHAN H CHN
7	NGO VL VIE
8	FARDJ M ALG
9	MICHAEL M ROU
10	SCHERRER S SUI
11	MERGHANY H EGY
12	BARAN R POL
13	ALIDINI A ALB
14	SHERIDAN L USA
15	CAMARA MS GUI
16	ANABA FRANCK CMR
17	OZOLINS OZOLS A LAT



WUHAN 2019  
7th CISM Military World Games

MON 21 OCT 2019



## Final Classification

### 项目总排名

Rank	Name	Nation Code	CP	VFA	VSU	VPO	VPO Given	Draw No.
1	MOHAMMADIAN MH	IRI	15	0	3	39	4	2
2	HUSHTYN A	BLR	14	1	2	31	6	13
3	BAITSAEV V	RUS	9	0	0	20	14	9
3	YASARLI F	TUR	10	0	1	20	8	15
5	VLASOV A	UKR	6	1	0	6	20	4
5	BAHETIHAN H	CHN	8	0	1	27	24	17
7	NGO VL	VIE	9	1	1	16	15	21
8	FARDJ M	ALG	3	0	0	5	17	5
9	MICHAEL M	ROU	3	0	0	4	6	10
10	SCHERRER S	SUI	2	0	0	2	16	12
11	MERGHANY H	EGY	1	0	0	9	15	16
12	BARAN R	POL	1	0	0	3	7	8
13	ALIDINI A	ALB	1	0	0	2	12	24
14	SHERIDAN L	USA	1	0	0	1	5	6
15	CAMARA MS	GUI	0	0	0	3	4	20
16	ANABA FRANCK	CMR	0	0	0	0	4	11
17	OZOLINS OZOLS A	LAT	0	0	0	0	11	14

Legend:		
CP	Classification Points	VSU
VPO	Technical Points obtained	VPO Given
VFA	Victory by Fall	Great Superiority - a difference of 6 points - the loser without point
		Technical Points given

### Competition Sheet 比赛对阵图

1/8 Finals		1/4 Finals		Semifinals		Finals	
1 KARGIOTAKIS I GRE		1 KARGIOTAKIS I GRE	3/1 VPO1	1 KARGIOTAKIS I GRE	0/0	12 MOHEBI Y IRI	0/0
- BYE -							
5 TCHADIE GEORGES CMR		5 TCHADIE GEORGES CMR	1/1				
- BYE -							
7 MITCHELL J USA	1/1	9 DENG Z CHN	1/1	12 MOHEBI Y IRI	4/11 VSU		
9 DENG Z CHN	3/7 VPO1						
11 PIASNAK V BLR	0/0	12 MOHEBI Y IRI	3/3 VPO1				
12 MOHEBI Y IRI	4/10 VSU						
16 SKANDELIDZE G QAT	0/0	17 ZAKI K EGY	0/0	18 BARAN R POL	0/0	21 AKGUL T TUR	3/3 VPO
17 ZAKI K EGY	5/0 VFO						
18 BARAN R POL	4/10 VSU	18 BARAN R POL	3/6 VPO				
19 BOLTIN O KAZ	0/0						
21 AKGUL T TUR	3/5 VPO	21 AKGUL T TUR	3/4 VPO	21 AKGUL T TUR	3/4 VPO		
22 BELLIYEV S TKM	0/0						
23 ALARDA M PLE	0/0	25 KOLDOVSKYI O UKR	0/0				
25 KOLDOVSKYI O UKR	5/2 VFA						

Draw number	Classification points	Technical points	Victory type
1	LASTNAME Firstname NOC	3/5	VPO

<b>Gold</b>	21 AKGUL T TUR
<b>Silver</b>	12 MOHEBI Y IRI

#### Repechage

Upper Branch	Lower Branch	Repechage	Bronze
11 PIASNAK V BLR	22 BELLIYEV S TKM	9 DENG Z CHN	9 DENG Z CHN
9 DENG Z CHN	25 KOLDOVSKYI O UKR	1 KARGIOTAKIS I GRE	
	18 BARAN R POL		18 BARAN R POL

CLASSIFICATION		
1	AKGUL T	TUR
2	MOHEBI Y	IRI
3	DENG Z	CHN
3	BARAN R	POL
5	KARGIOTAKIS I	GRE
5	KOLDOVSKYI O	UKR
7	ZAKI K	EGY
8	TCHADIE GEORGES	CMR
9	MITCHELL J	USA
10	PIASNAK V	BLR
11	SKANDELIDZE G	QAT
12	ALARDA M	PLE
13	BELLIYEV S	TKM
14	BOLTIN O	KAZ





WUHAN 2019  
7th CISM Military World Games

MON 21 OCT 2019



## Final Classification

### 项目总排名

Rank	Name	Nation Code	CP	VFA	VSU	VPO	VPO Given	Draw No.
1	AKGUL T	TUR	12	0	0	16	0	21
2	MOHEBI Y	IRI	11	0	2	24	4	12
3	DENG Z	CHN	11	0	1	28	5	9
3	BARAN R	POL	10	0	1	18	4	18
5	KARGIOTAKIS I	GRE	3	0	0	1	23	1
5	KOLDOVSKYI O	UKR	8	1	0	5	6	25
7	ZAKI K	EGY	5	0	0	0	6	17
8	TCHADIE GEORGES	CMR	1	0	0	1	1	5
9	MITCHELL J	USA	1	0	0	1	7	7
10	PIASNIAK V	BLR	1	0	0	1	19	11
11	SKANDELIDZE G	QAT	0	0	0	0	0	16
12	ALARDA M	PLE	0	0	0	0	2	23
13	BELLIYEV S	TKM	0	0	0	0	8	22
14	BOLTIN O	KAZ	0	0	0	0	10	19

Legend:		
CP	Classification Points	VSU
VPO	Technical Points obtained	VPO Given
VFA	Victory by Fall	Great Superiority - a difference of 6 points - the loser without point
		Technical Points given

### Competition Sheet 比赛对阵图

1/8 Finals		1/4 Finals		Semifinals		Finals	
4 KIM SJ PRK		4 KIM SJ PRK	0/0	5 LI Y CHN	3/4 VPO1	5 LI Y CHN	3/6 VPO1
-BYE-							
5 LI Y CHN		5 LI Y CHN	4/10 VSU	7 MATKOWSKA I POL	1/4		
-BYE-							
7 MATKOWSKA I POL		7 MATKOWSKA I POL	4/13 VSU1	15 CONDER W USA	4/11 VSU	15 CONDER W USA	1/5
-BYE-							
13 LIUZZI E ITA		13 LIUZZI E ITA	1/2	19 ASHOUR N EGY	3/8 VPO1	19 ASHOUR N EGY	0/0
-BYE-							
15 CONDER W USA		15 CONDER W USA	5/9 VFA	21 STEFANIA CLAUDIA P ROU	3/3 VPO1	21 STEFANIA CLAUDIA P ROU	1/5
-BYE-							
17 STANKEVICH K BLR		17 STANKEVICH K BLR	0/2	25 GRUNEWALD T FRA	1/1		
-BYE-							
19 ASHOUR N EGY		19 ASHOUR N EGY	3/8 VPO1				
-BYE-							
21 STEFANIA CLAUDIA P ROU	3/3 VPO1	21 STEFANIA CLAUDIA P ROU	1/5				
25 GRUNEWALD T FRA	1/1						

Draw number	Classification points	
1	LASTNAME Firstname NOC	3/5 VPO
	Technical points	Victory type

<b>Gold</b>	
5	LI Y CHN
<b>Silver</b>	
15	CONDER W USA

#### Repechage

<b>Upper Branch</b>	-BYE-	4 KIM SJ PRK	3/5 VPO1	<b>Bronze</b>
		7 MATKOWSKA I POL	1/2	4 KIM SJ PRK
<b>Lower Branch</b>	-BYE-	17 STANKEVICH K BLR	5/8 VFA	<b>Bronze</b>
		19 ASHOUR N EGY	0/0	17 STANKEVICH K BLR

CLASSIFICATION		
1	LI Y	CHN
2	CONDER W	USA
3	KIM SJ	PRK
3	STANKEVICH K	BLR
5	MATKOWSKA I	POL
5	ASHOUR N	EGY
7	STEFANIA CLAUDIA P	ROU
8	LIUZZI E	ITA
9	GRUNEWALD T	FRA



WUHAN 2019  
7th CISM Military World Games



### Final Classification

项目总排名

Rank	Name	Nation Code	CP	VFA	VSU	VPO	VPO Given	Draw No.
1	LI Y	CHN	10	0	1	20	9	5
2	CONDER W	USA	10	1	1	25	8	15
3	KIM SJ	PRK	3	0	0	5	12	4
3	STANKEVICH K	BLR	5	1	0	10	9	17
5	MATKOWSKA I	POL	6	0	1	19	11	7
5	ASHOUR N	EGY	3	0	0	8	24	19
7	STEFANIA CLAUDIA P	ROU	4	0	0	8	9	21
8	LIUZZI E	ITA	1	0	0	2	13	13
9	GRUNEWALD T	FRA	1	0	0	1	3	25

Legend:			
CP	Classification Points	VSU	Great Superiority - a difference of 6 points - the loser without point
VPO	Technical Points obtained	VPO Given	Technical Points given
VFA	Victory by Fall		

### Competition Sheet 比赛对阵图

1/8 Finals		1/4 Finals		Semifinals		Finals	
1 MAKHYADDINOV A E KAZ		1 MAKHYADDINOV A E KAZ	0/0	8 YON JH PRK	4/14 VSU1	8 YON JH PRK	5/7 VFA
- BYE -		8 YON JH PRK	5/6 VFA	12 HEMMER N GER	1/4	22 SUZANA GEORGIANA S ROU	0/0
8 YON JH PRK		9 VARANSOVA T AZE	0/0	14 BATORSHIKH B MGL	1/6	22 SUZANA GEORGIANA S ROU	0/0
- BYE -		12 HEMMER N GER	5/9 VFA	15 KANASHEVICH A BLR	0/0	23 VILLAESCUSA A USA	0/6
9 VARANSOVA T AZE		14 BATORSHIKH B MGL	5/9 VFA	22 SUZANA GEORGIANA S ROU	3/7 VPO1	24 DADASHEVA M RUS	5/12 VFA
- BYE -		15 KANASHEVICH A BLR	0/0	22 SUZANA GEORGIANA S ROU	3/8 VPO1		
12 HEMMER N GER		22 SUZANA GEORGIANA S ROU	3/7 VPO1				
- BYE -		23 VILLAESCUSA A USA	0/6				
14 BATORSHIKH B MGL		24 DADASHEVA M RUS	1/4				
- BYE -							
15 KANASHEVICH A BLR							
- BYE -							
22 SUZANA GEORGIANA S ROU							
- BYE -							
23 VILLAESCUSA A USA							
24 DADASHEVA M RUS							

Draw number	Classification points	
1	LASTNAME Firstname	NOC
		3/5 VPO
	Technical points	Victory type

<b>Gold</b>	
8	YON JH PRK
<b>Silver</b>	
22	SUZANA GEORGIANA S ROU

#### Repechage

<b>Upper Branch</b>	- BYE -	1 MAKHYADDINOV A E KAZ	0/0	<b>Bronze</b>
	12 HEMMER N GER	4/10 VSU	12 HEMMER N GER	
<b>Lower Branch</b>	- BYE -	24 DADASHEVA M RUS	3/12 VPO1	<b>Bronze</b>
	14 BATORSHIKH B MGL	1/6	24 DADASHEVA M RUS	

CLASSIFICATION		
1	YON JH	PRK
2	SUZANA GEORGIANA S	ROU
3	HEMMER N	GER
3	DADASHEVA M	RUS
5	MAKHYADDINOVA E	KAZ
5	BATORSHIKH B	MGL
7	VILLAESCUSA A	USA
8	VARANSOVA T	AZE
9	KANASHEVICH A	BLR



WUHAN 2019  
7th CISM Military World Games

THU 24 OCT 2019



CISM

## Final Classification

### 项目总排名

Rank	Name	Nation Code	CP	VFA	VSU	VPO	VPO Given	Draw No.
1	YON JH	PRK	14	2	1	27	4	8
2	SUZANA GEORGIANA S	ROU	6	0	0	15	17	22
3	HEMMER N	GER	10	1	1	23	14	12
3	DADASHEVA M	RUS	9	1	0	28	19	24
5	MAKHYADDINOVA E	KAZ	0	0	0	0	16	1
5	BATORSHIKH B	MGL	7	1	0	21	20	14
7	VILLAESCUSA A	USA	0	0	0	6	12	23
8	VARANSOVA T	AZE	0	0	0	0	9	9
9	KANASHEVICH A	BLR	0	0	0	0	9	15

Legend:		
CP	Classification Points	VSU
VPO	Technical Points obtained	VPO Given
VFA	Victory by Fall	Great Superiority - a difference of 6 points - the loser without point
		Technical Points given

## Competition Sheet

### 比赛对阵图

1/8 Finals		1/4 Finals		Semifinals		Finals	
1 SUKHEE T MGL		1 SUKHEE T MGL	3/4 VPO1	1 SUKHEE T MGL	5/12 VFA	1 SUKHEE T MGL	1/3
- BYE -							
2 KRAWCZYK K POL		2 KRAWCZYK K POL	1/2	8 HANCHAR K BLR	5/4 VFA	8 HANCHAR K BLR	0/3
- BYE -							
8 HANCHAR K BLR		8 HANCHAR K BLR	5/4 VFA	8 HANCHAR K BLR	0/3		
- BYE -							
10 SOW KD GUI		10 SOW KD GUI	0/0				
- BYE -							
12 LISOVSKA Y UKR		12 LISOVSKA Y UKR	1/4	15 RIVIERE M FRA	0/0	21 LI H CHN	3/6 VPO1
- BYE -							
15 RIVIERE M FRA	3/5 VPO1	15 RIVIERE M FRA	3/8 VPO1	15 RIVIERE M FRA	0/0		
17 ZUYEVA M KAZ	1/1						
19 OLIVEIRA G BRA	3/5 VPO1	19 OLIVEIRA G BRA	0/0				
20 PARUSZEWSKI S GER	1/2						
21 LI H CHN	3/7 VPO1	21 LI H CHN	4/10 VSU	21 LI H CHN	4/10 VSU		
22 JONG MS PRK	1/7						

Draw number	Classification points	Technical points	Victory type
1	LASTNAME Firstname NOC	3/5	VPO

<b>Gold</b>	
21	LI H CHN
<b>Silver</b>	
1	SUKHEE T MGL

### Repechage

Upper Branch	Lower Branch
- BYE -	22 JONG MS PRK
2 KRAWCZYK K POL	19 OLIVEIRA G BRA
2 KRAWCZYK K POL	22 JONG MS PRK
8 HANCHAR K BLR	15 RIVIERE M FRA
2 KRAWCZYK K POL	22 JONG MS PRK

CLASSIFICATION		
1	LI H	CHN
2	SUKHEE T	MGL
3	KRAWCZYK K	POL
3	JONG MS	PRK
5	HANCHAR K	BLR
5	RIVIERE M	FRA
7	OLIVEIRA G	BRA
8	LISOVSKA Y	UKR
9	PARUSZEWSKI S	GER
10	ZUYEVA M	KAZ
11	SOW KD	GUI



WUHAN 2019  
7th CISM Military World Games



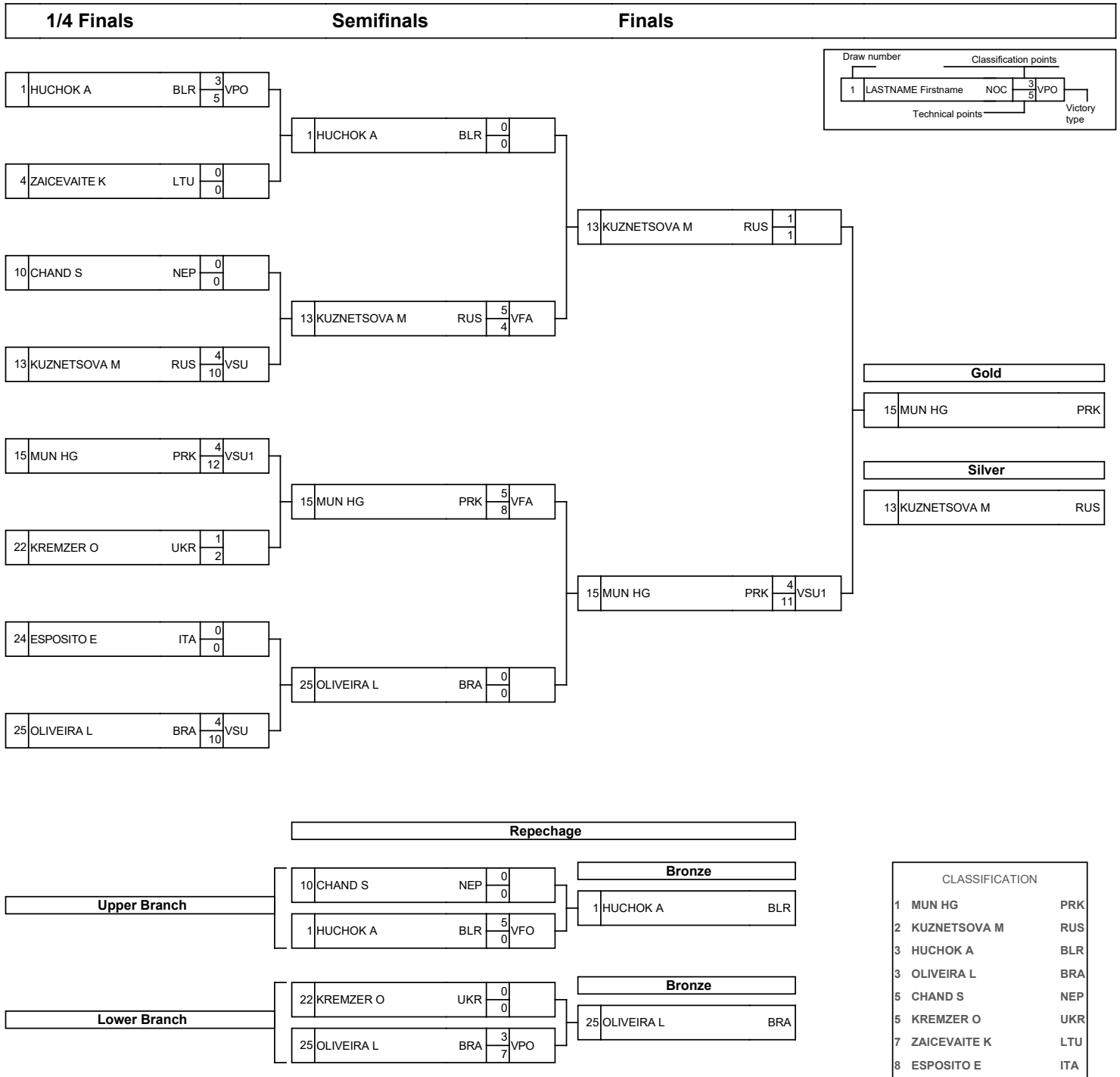
### Final Classification

#### 项目总排名

Rank	Name	Nation Code	CP	VFA	VSU	VPO	VPO Given	Draw No.
1	LI H	CHN	14	0	2	33	10	21
2	SUKHEE T	MGL	9	1	0	19	11	1
3	KRAWCZYK K	POL	5	0	1	12	4	2
3	JONG MS	PRK	9	1	0	26	8	22
5	HANCHAR K	BLR	5	1	0	7	22	8
5	RIVIERE M	FRA	7	0	0	14	23	15
7	OLIVEIRA G	BRA	3	0	0	5	23	19
8	LISOVSKA Y	UKR	1	0	0	4	8	12
9	PARUSZEWSKI S	GER	1	0	0	2	5	20
10	ZUYEVA M	KAZ	1	0	0	1	5	17
11	SOW KD	GUI	0	0	0	0	4	10

Legend:		
CP	Classification Points	VSU
VPO	Technical Points obtained	VPO Given
VFA	Victory by Fall	Great Superiority - a difference of 6 points - the loser without point
		Technical Points given

### Competition Sheet 比赛对阵图



CLASSIFICATION	
1	MUN HG PRK
2	KUZNETSOVA M RUS
3	HUCHOK A BLR
3	OLIVEIRA L BRA
5	CHAND S NEP
5	KREMZER O UKR
7	ZAICEVAITE K LTU
8	ESPOSITO E ITA





WUHAN 2019  
7th CISM Military World Games

WED 23 OCT 2019



### Final Classification

#### 项目总排名

Rank	Name	Nation Code	CP	VFA	VSU	VPO	VPO Given	Draw No.
1	MUN HG	PRK	13	1	2	31	3	15
2	KUZNETSOVA M	RUS	10	1	1	15	11	13
3	HUCHOK A	BLR	8	0	0	5	4	1
3	OLIVEIRA L	BRA	7	0	1	17	8	25
5	CHAND S	NEP	0	0	0	0	10	10
5	KREMZER O	UKR	1	0	0	2	19	22
7	ZAICEVAITE K	LTU	0	0	0	0	5	4
8	ESPOSITO E	ITA	0	0	0	0	10	24

Legend:		
CP	Classification Points	VSU
VPO	Technical Points obtained	VPO Given
VFA	Victory by Fall	Great Superiority - a difference of 6 points - the loser without point
		Technical Points given

### Competition Sheet 比赛对阵图

1/8 Finals		1/4 Finals		Semifinals		Finals	
1 ENKHAMAR D MGL	5/6 VFA	1 ENKHAMAR D MGL	3/2 VPO	1 ENKHAMAR D MGL	1/6	8 WIESZCZEK KORDUS A POL	1/2
4 REUBEN HA NGR	0/1	7 CAMARA FY GUI	0/0	8 WIESZCZEK KORDUS A POL	3/11 VPO1	18 ZHOU F CHN	4/10 VSU
5 ANA SIMONA B ROU	0/0	8 WIESZCZEK KORDUS A POL	4/12 VSU1	8 WIESZCZEK KORDUS A POL	3/11 VPO1	18 ZHOU F CHN	3/6 VPO1
7 CAMARA FY GUI	4/10 VSU	12 REIS D BRA	1/1	18 ZHOU F CHN	3/4 VPO	21 RIZHKO T UKR	0/0
8 WIESZCZEK KORDUS A POL	5/4 VFA	15 WEINAUGE N GER	0/0	21 RIZHKO T UKR	5/6 VFA	24 DOMIKAITYTE D LTU	0/0
9 NGIRI BLANDINE NY. CMR	0/0	18 ZHOU F CHN	3/4 VPO	21 RIZHKO T UKR	0/0		
11 TEMIRTASSOVA A KAZ	0/0	20 VELIEVA K RUS	1/2				
12 REIS D BRA	5/13 VFA	21 RIZHKO T UKR	5/2 VFA				
15 WEINAUGE N GER	5/9 VFA	22 MAGEE N USA	0/0				
16 CANEVA D ITA	0/7	23 HAMZA S EGY	0/0				
18 ZHOU F CHN	4/13 VSU1	24 DOMIKAITYTE D LTU	5/0 VFO				
20 VELIEVA K RUS	1/2						
21 RIZHKO T UKR	5/2 VFA						
22 MAGEE N USA	0/0						
23 HAMZA S EGY	0/0						
24 DOMIKAITYTE D LTU	5/0 VFO						

Draw number	Classification points	
1	LASTNAME Firstname NOC	3/5 VPO
	Technical points	Victory type

<b>Gold</b>	
18	ZHOU F CHN
<b>Silver</b>	
8	WIESZCZEK KORDUS A POL

#### Repechage

<b>Upper Branch</b>	9 NGIRI BLANDINE NY. CMR	0/0	12 REIS D BRA	1/5	<b>Bronze</b>	1 ENKHAMAR D MGL
	12 REIS D BRA	4/10 VSU	1 ENKHAMAR D MGL	3/9 VPO1		
<b>Lower Branch</b>	20 VELIEVA K RUS	3/9 VPO	20 VELIEVA K RUS	5/0 VFO	<b>Bronze</b>	20 VELIEVA K RUS
	15 WEINAUGE N GER	0/0	21 RIZHKO T UKR	0/0		

CLASSIFICATION		
1	ZHOU F	CHN
2	WIESZCZEK KORDUS A	POL
3	ENKHAMAR D	MGL
3	VELIEVA K	RUS
5	REIS D	BRA
5	RIZHKO T	UKR
7	WEINAUGE N	GER
8	DOMIKAITYTE D	LTU
9	CAMARA FY	GUI
10	CANEVA D	ITA
11	REUBEN HA	NGR
12	HAMZA S	EGY
13	MAGEE N	USA
14	ANA SIMONA B	ROU
15	TEMIRTASSOVA A	KAZ
16	NGIRI BLANDINE NY.	CMR



WUHAN 2019  
7th CISM Military World Games

WED 23 OCT 2019



## Final Classification

### 项目总排名

Rank	Name	Nation Code	CP	VFA	VSU	VPO	VPO Given	Draw No.
1	ZHOU F	CHN	14	0	2	33	4	18
2	WIESZCZEK KORDUS A	POL	13	1	1	29	13	8
3	ENKHAMAR D	MGL	12	1	0	23	17	1
3	VELIEVA K	RUS	9	0	0	11	13	20
5	REIS D	BRA	11	1	1	29	21	12
5	RIZHKO T	UKR	10	2	0	8	10	21
7	WEINAUGE N	GER	5	1	0	9	20	15
8	DOMIKAITYTE D	LTU	5	0	0	0	6	24
9	CAMARA FY	GUI	4	0	1	10	2	7
10	CANEVA D	ITA	0	0	0	7	9	16
11	REUBEN HA	NGR	0	0	0	1	6	4
12	HAMZA S	EGY	0	0	0	0	0	23
13	MAGEE N	USA	0	0	0	0	2	22
14	ANA SIMONA B	ROU	0	0	0	0	10	5
15	TEMIRTASSOVA A	KAZ	0	0	0	0	13	11
16	NGIRI BLANDINE NY.	CMR	0	0	0	0	14	9

Legend:		
CP	Classification Points	VSU
VPO	Technical Points obtained	VPO Given
VFA	Victory by Fall	Great Superiority - a difference of 6 points - the loser without point
		Technical Points given

### Competition Sheet 比赛对阵图

1/8 Finals		1/4 Finals		Semifinals		Finals	
2 CEPONYTE G LTU		2 CEPONYTE G LTU	0/0	4 WANG J CHN	3/5 VPO1	4 WANG J CHN	0/6
- BYE -							
4 WANG J CHN		4 WANG J CHN	5/4 VFA				
- BYE -							
5 YERKEBAYEVA G KAZ		5 YERKEBAYEVA G KAZ	4/12 VSU1	5 YERKEBAYEVA G KAZ	1/2		
- BYE -							
6 ABDELKHALEK M EGY		6 ABDELKHALEK M EGY	1/2				
- BYE -							
7 VOROBEOVA N RUS		7 VOROBEOVA N RUS	4/10 VSU	7 VOROBEOVA N RUS	3/8 VPO1		
- BYE -							
14 GANBAT A MGL		14 GANBAT A MGL	0/0				
- BYE -							
15 BELTZ R USA	0/0	17 LARROQUE K FRA	0/2				
17 LARROQUE K FRA	3/4 VPO						
21 FERREIRA A BRA	1/2	22 BELINSKA A UKR	5/6 VFA				
22 BELINSKA A UKR	3/2 VPO1						

Draw number	Classification points	
1	LASTNAME Firstname	NOC
		3/5 VPO
	Technical points	Victory type

<b>Gold</b>	
7	VOROBEOVA N RUS
<b>Silver</b>	
4	WANG J CHN

#### Repechage

<b>Upper Branch</b>	- BYE -	2 CEPONYTE G LTU	0/0	<b>Bronze</b>
		5 YERKEBAYEVA G KAZ	4/10 VSU	
<b>Lower Branch</b>	- BYE -	14 GANBAT A MGL	1/2	<b>Bronze</b>
		22 BELINSKA A UKR	3/6 VPO1	

CLASSIFICATION		
1	VOROBEOVA N	RUS
2	WANG J	CHN
3	YERKEBAYEVA G	KAZ
3	BELINSKA A	UKR
5	CEPONYTE G	LTU
5	GANBAT A	MGL
7	LARROQUE K	FRA
8	FERREIRA A	BRA
9	ABDELKHALEK M	EGY
10	BELTZ R	USA



WUHAN 2019  
7th CISM Military World Games

WED 23 OCT 2019



### Final Classification

项目总排名

Rank	Name	Nation Code	CP	VFA	VSU	VPO	VPO Given	Draw No.
1	VOROBEOVA N	RUS	12	1	1	20	12	7
2	WANG J	CHN	8	1	0	15	4	4
3	YERKEBAYEVA G	KAZ	9	0	2	24	7	5
3	BELINSKA A	UKR	12	1	0	20	14	22
5	CEPONYTE G	LTU	0	0	0	0	14	2
5	GANBAT A	MGL	1	0	0	2	16	14
7	LARROQUE K	FRA	3	0	0	6	6	17
8	FERREIRA A	BRA	1	0	0	2	2	21
9	ABDELKHALEK M	EGY	1	0	0	2	12	6
10	BELTZ R	USA	0	0	0	0	4	15

Legend:			
CP	Classification Points	VSU	Great Superiority - a difference of 6 points - the loser without point
VPO	Technical Points obtained	VPO Given	Technical Points given
VFA	Victory by Fall		

## Competition Sheet 比赛对阵图

1/8 Finals		1/4 Finals		Semifinals		Finals		
1	MAGISALU H EST	0	0	2	RI SU PRK	3	VPO1	
2	RI SU PRK	4	9	VSU	2	RI SU PRK	3	VPO1
3	FAHMY H EGY	1	1	4	MINASYAN T ARM	1	3	
4	MINASYAN T ARM	4	9	VSU1	6	HAFIZOV I USA	3	VPO1
5	LAOUNI A ALG	1	1	6	HAFIZOV I USA	4	VPO1	
6	HAFIZOV I USA	4	11	VSU1	6	HAFIZOV I USA	1	1
7	SAILIKE W CHN	4	9	VSU	7	SAILIKE W CHN	1	1
9	ROMANELLI D BRA	0	0	7	SAILIKE W CHN	1	1	
10	PETRAVICIUS J LTU	3	5	VPO1	10	PETRAVICIUS J LTU	1	2
12	JUNG Y KOR	1	3	10	PETRAVICIUS J LTU	1	2	
14	EMELIN S RUS	3	5	VPO1	14	EMELIN S RUS	4	11
17	SULTANGALI A KAZ	1	2	14	EMELIN S RUS	4	11	
18	SANDRON J ITA	1	1	14	EMELIN S RUS	4	11	
19	BAZAROV M AZE	3	4	VPO1	14	EMELIN S RUS	4	11
24	GYANENDER IND	3	4	VPO	14	EMELIN S RUS	4	11
25	TRACZ M POL	0	0	24	GYANENDER IND	0	0	
				24	GYANENDER IND	3	5	VPO1

Draw number	Classification points	Technical points	Victory type
1	LASTNAME Firstname NOC	3/5	VPO

<b>Gold</b>	
2	RI SU PRK
<b>Silver</b>	
14	EMELIN S RUS

### Repechage

Branch	Match	Result	Classification
Upper Branch	1	MAGISALU H EST	1/2
	4	MINASYAN T ARM	4/10 VSU1
Lower Branch	17	SULTANGALI A KAZ	3/6 VPO
	10	PETRAVICIUS J LTU	0/0

CLASSIFICATION		
1	RI SU	PRK
2	EMELIN S	RUS
3	HAFIZOV I	USA
3	SULTANGALI A	KAZ
5	MINASYAN T	ARM
5	GYANENDER	IND
7	SAILIKE W	CHN
8	PETRAVICIUS J	LTU
9	BAZAROV M	AZE
10	JUNG Y	KOR
11	MAGISALU H	EST
12	SANDRON J	ITA
13	FAHMY H	EGY
14	LAOUNI A	ALG
15	TRACZ M	POL
16	ROMANELLI D	BRA



WUHAN 2019  
7th CISM Military World Games

WED 23 OCT 2019



### Final Classification

#### 项目总排名

Rank	Name	Nation Code	CP	VFA	VSU	VPO	VPO Given	Draw No.
1	RI SU	PRK	13	0	1	27	4	2
2	EMELIN S	RUS	11	0	2	25	8	14
3	HAFIZOV I	USA	12	0	2	24	9	6
3	SULTANGALI A	KAZ	7	0	0	14	8	17
5	MINASYAN T	ARM	9	0	2	22	18	4
5	GYANENDER	IND	7	0	0	12	17	24
7	SAILIKE W	CHN	5	0	1	10	4	7
8	PETRAVICIUS J	LTU	4	0	0	7	20	10
9	BAZAROV M	AZE	4	0	0	6	6	19
10	JUNG Y	KOR	1	0	0	3	5	12
11	MAGISALU H	EST	1	0	0	2	19	1
12	SANDRON J	ITA	1	0	0	1	4	18
13	FAHMY H	EGY	1	0	0	1	9	3
14	LAOUNI A	ALG	1	0	0	1	11	5
15	TRACZ M	POL	0	0	0	0	4	25
16	ROMANELLI D	BRA	0	0	0	0	9	9

Legend:		
CP	Classification Points	VSU
VPO	Technical Points obtained	VPO Given
VFA	Victory by Fall	Great Superiority - a difference of 6 points - the loser without point
		Technical Points given

## Competition Sheet

比赛对阵图

Qualifications		1/8 Finals		1/4 Finals		Semifinals		Finals	
1 ALHASAN A SYR		1 ALHASAN A SYR	0/0	2 RAHMANOV M AZE	4/8 VSU	2 RAHMANOV M AZE	1/1	5 SURKOV A RUS	0/0
- BYE -		2 RAHMANOV M AZE	5/0 VFO	3 SYLLA M FRA	0/0	5 SURKOV A RUS	3/3 VPO1		
2 RAHMANOV M AZE		3 SYLLA M FRA	3/2 VPO	5 SURKOV A RUS	3/5 VPO	5 SURKOV A RUS	3/3 VPO1	5 SURKOV A RUS	0/0
- BYE -		4 KALENOV D KAZ	0/0	6 KHACHATRYAN S ARM	0/0	10 KARECINSKI D POL	0/0		
3 SYLLA M FRA		5 SURKOV A RUS	4/8 VSU	11 MANISH IND	4/14 VSU1	11 MANISH IND	1/1	15 NEMES M SRB	1/6
- BYE -		6 KHACHATRYAN S ARM	0/0	12 STALS M LAT	1/5	15 NEMES M SRB	3/8 VPO1		
4 KALENOV D KAZ		7 KALINICHENKO O UKR	0/0	13 LEE J KOR	1/1	15 NEMES M SRB	4/9 VSU1	19 IBRAHIM M EGY	5/0 VIN
- BYE -		10 KARECINSKI D POL	3/3 VPO	14 VETSCH A SUI	0/0	16 BASAR E TUR	3/5 VPO1		
5 SURKOV A RUS		11 MANISH IND	4/14 VSU1	15 NEMES M SRB	3/5 VPO	16 BASAR E TUR	1/5	19 IBRAHIM M EGY	4/9 VSU
- BYE -		12 STALS M LAT	1/5	17 MATTILA E FIN	1/1	19 IBRAHIM M EGY	3/9 VPO1		
6 KHACHATRYAN S ARM		13 LEE J KOR	1/1	18 TOTH M HUN	0/0	19 IBRAHIM M EGY	4/9 VSU	19 IBRAHIM M EGY	3/8 VPO1
- BYE -		14 VETSCH A SUI	0/0	19 IBRAHIM M EGY	4/9 VSU	22 COLEMAN E USA	1/3		
7 KALINICHENKO O UKR		15 NEMES M SRB	3/5 VPO	21 PANG JC PRK	0/0	25 JUNIOR J BRA	0/0	19 IBRAHIM M EGY	5/0 VIN
- BYE -		16 BASAR E TUR	3/5 VPO1	22 COLEMAN E USA	4/9 VSU	25 JUNIOR J BRA	4/8 VSU		
10 KARECINSKI D POL		17 MATTILA E FIN	1/1	24 KAIRA A TAN	0/0			19 IBRAHIM M EGY	5/0 VIN
- BYE -		18 TOTH M HUN	0/0	25 JUNIOR J BRA	4/8 VSU				
11 MANISH IND		19 IBRAHIM M EGY	4/9 VSU					19 IBRAHIM M EGY	5/0 VIN
- BYE -		21 PANG JC PRK	0/0						
12 STALS M LAT		22 COLEMAN E USA	4/9 VSU					19 IBRAHIM M EGY	5/0 VIN
- BYE -		24 KAIRA A TAN	0/0						
13 LEE J KOR		25 JUNIOR J BRA	4/8 VSU					19 IBRAHIM M EGY	5/0 VIN
- BYE -									

Draw number	Classification points	
1	LASTNAME Firstname	NOC
		3/5 VPO
	Technical points	Victory type

**Gold**  
19 IBRAHIM M EGY

**Silver**  
5 SURKOV A RUS



## Competition Sheet

### 比赛对阵图

Repechage				CLASSIFICATION	
				1	IBRAHIM M EGY
				2	SURKOV A RUS
				3	RAHMANOV M AZE
				3	NEMES M SRB
				5	KHACHATRYAN S ARM
				5	JUNIOR J BRA
				7	MANISH IND
				8	COLEMAN E USA
				9	BASAR E TUR
				10	TOTH M HUN
				11	KARECINSKI D POL
				12	SYLLA M FRA
				13	STALS M LAT
				14	MATTILA E FIN
				15	LEE J KOR
				16	ALHASAN A SYR
				17	KALENOV D KAZ
				18	KALINICHENKO O UKR
				19	VETSCH A SUI
				20	KAIRA A TAN
				21	PANG JC PRK

Upper Branch				Lower Branch	
- BYE -				18	TOTH M HUN 3/3 VPO1
6	KHACHATRYAN S ARM	5/4	VFA	16	BASAR E TUR 1/1
10	KARECINSKI D POL	0/0		18	TOTH M HUN 1/3
6	KHACHATRYAN S ARM	0/0		25	JUNIOR J BRA 3/5 VPO1
2	RAHMANOV M AZE	3/5	VPO	25	JUNIOR J BRA 0/0
2	RAHMANOV M AZE	3/5	VPO	15	NEMES M SRB 4/9 VSU
2	RAHMANOV M AZE	3/5	VPO	15	NEMES M SRB



WUHAN 2019  
7th CISM Military World Games

WED 23 OCT 2019



CISM

## Final Classification

### 项目总排名

Rank	Name	Nation Code	CP	VFA	VSU	VPO	VPO Given	Draw No.
1	IBRAHIM M	EGY	19	0	2	35	11	19
2	SURKOV A	RUS	10	0	1	16	1	5
3	RAHMANOV M	AZE	13	0	1	14	3	2
3	NEMES M	SRB	15	0	2	37	10	15
5	KHACHATRYAN S	ARM	5	1	0	4	13	6
5	JUNIOR J	BRA	10	0	1	17	24	25
7	MANISH	IND	5	0	1	15	13	11
8	COLEMAN E	USA	5	0	1	12	4	22
9	BASAR E	TUR	5	0	0	11	13	16
10	TOTH M	HUN	4	0	0	6	15	18
11	KARECINSKI D	POL	3	0	0	3	9	10
12	SYLLA M	FRA	3	0	0	2	8	3
13	STALS M	LAT	1	0	0	5	14	12
14	MATTILA E	FIN	1	0	0	1	5	17
15	LEE J	KOR	1	0	0	1	9	13
16	ALHASAN A	SYR	0	0	0	0	0	1
17	KALENOV D	KAZ	0	0	0	0	2	4
18	KALINICHENKO O	UKR	0	0	0	0	3	7
19	VETSCH A	SUI	0	0	0	0	5	14
20	KAIRA A	TAN	0	0	0	0	8	24
21	PANG JC	PRK	0	0	0	0	9	21

#### Legend:

CP	Classification Points	VSU	Great Superiority - a difference of 6 points - the loser without point
VPO	Technical Points obtained	VPO Given	Technical Points given
VFA	Victory by Fall		



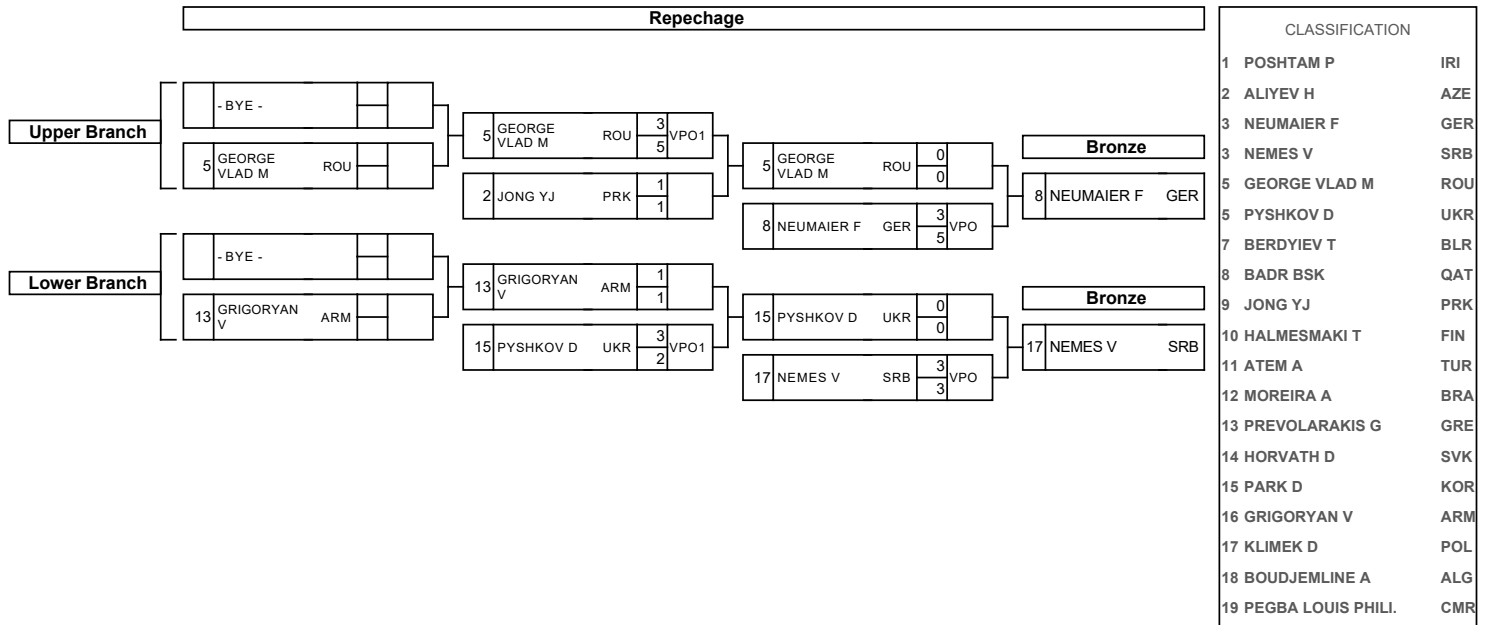
Competition Sheet  
比赛对阵图

Qualifications		1/8 Finals		1/4 Finals		Semifinals		Finals											
2 JONG YJ PRK		2 JONG YJ PRK	3/5 VPO1	2 JONG YJ PRK	1/1	4 POSHTAM P IRI	3/1 VPO1	<table border="1"> <tr> <td>Draw number</td> <td colspan="2">Classification points</td> <td rowspan="2">Victory type</td> </tr> <tr> <td>1</td> <td>LASTNAME Firstname</td> <td>NOC</td> </tr> <tr> <td colspan="2">Technical points</td> <td>3/5</td> <td></td> </tr> </table>	Draw number	Classification points		Victory type	1	LASTNAME Firstname	NOC	Technical points		3/5	
Draw number	Classification points		Victory type																
1	LASTNAME Firstname	NOC																	
Technical points		3/5																	
- BYE -		3 MOREIRA A BRA	1/5	3 MOREIRA A BRA	1/5	4 POSHTAM P IRI	4/10 VSU1												
3 MOREIRA A BRA		4 POSHTAM P IRI	3/7 VPO	4 POSHTAM P IRI	4/10 VSU1	8 NEUMAIER F GER	4/9 VSU												
- BYE -		5 GEORGE VLAD M ROU	0/0	5 GEORGE VLAD M ROU	0/0	8 NEUMAIER F GER	3/3 VPO1												
4 POSHTAM P IRI		6 PARK D KOR	1/1	6 PARK D KOR	1/1	8 NEUMAIER F GER	1/1												
- BYE -		8 NEUMAIER F GER	3/3 VPO1	8 NEUMAIER F GER	3/3 VPO1	9 PEGBA LOUIS PHILL. CMR	0/0												
5 GEORGE VLAD M ROU		9 PEGBA LOUIS PHILL. CMR	0/0	9 PEGBA LOUIS PHILL. CMR	0/0	10 BADR BSK QAT	0/0												
- BYE -		10 BADR BSK QAT	5/11 VFA	10 BADR BSK QAT	5/11 VFA	12 ALIYEV H AZE	3/5 VPO												
6 PARK D KOR		12 ALIYEV H AZE	3/5 VPO	12 ALIYEV H AZE	3/5 VPO	12 ALIYEV H AZE	3/7 VPO1												
- BYE -		13 GRIGORYAN V ARM	0/0	13 GRIGORYAN V ARM	0/0	12 ALIYEV H AZE	3/3 VPO1												
8 NEUMAIER F GER		14 BOUDJEMLIN E A ALG	0/0	14 BOUDJEMLIN E A ALG	0/0	15 PYSHKOV D UKR	1/1												
- BYE -		15 PYSHKOV D UKR	4/8 VSU	15 PYSHKOV D UKR	4/8 VSU	17 NEMES V SRB	3/4 VPO												
9 PEGBA LOUIS PHILL. CMR		17 NEMES V SRB	3/4 VPO1	17 NEMES V SRB	3/4 VPO	19 PREVOLARA KIS G GRE	1/4												
- BYE -		20 ATEM A TUR	1/1	20 ATEM A TUR	1/1	20 ATEM A TUR	3/5 VPO1												
10 BADR BSK QAT		21 HORVATH D SVK	1/3	21 HORVATH D SVK	1/3	22 BERDYIEV T BLR	3/4 VPO1												
- BYE -		22 BERDYIEV T BLR	3/4 VPO1	22 BERDYIEV T BLR	3/4 VPO1	23 HALMESMAK I T FIN	3/6 VPO												
12 ALIYEV H AZE		23 HALMESMAK I T FIN	1/1	23 HALMESMAK I T FIN	1/1	25 KLIMEK D POL	0/0												
- BYE -		25 KLIMEK D POL	0/0	25 KLIMEK D POL	0/0														
13 GRIGORYAN V ARM																			
- BYE -																			
14 BOUDJEMLIN E A ALG																			
- BYE -																			
15 PYSHKOV D UKR																			
- BYE -																			
17 NEMES V SRB																			
- BYE -																			
19 PREVOLARA KIS G GRE																			
20 ATEM A TUR																			
21 HORVATH D SVK																			
22 BERDYIEV T BLR																			
23 HALMESMAK I T FIN																			
25 KLIMEK D POL																			

<b>Gold</b>	
4	POSHTAM P IRI
<b>Silver</b>	
12	ALIYEV H AZE

### Competition Sheet

#### 比赛对阵图





WUHAN 2019  
7th CISM Military World Games



## Final Classification

### 项目总排名

Rank	Name	Nation Code	CP	VFA	VSU	VPO	VPO Given	Draw No.
1	POSHTAM P	IRI	13	0	1	20	3	4
2	ALIYEV H	AZE	10	0	0	16	5	12
3	NEUMAIER F	GER	11	0	1	18	2	8
3	NEMES V	SRB	10	0	0	13	4	17
5	GEORGE VLAD M	ROU	3	0	0	5	13	5
5	PYSHKOV D	UKR	8	0	1	11	11	15
7	BERDYIEV T	BLR	6	0	0	5	8	22
8	BADR BSK	QAT	5	1	0	11	9	10
9	JONG YJ	PRK	5	0	0	7	20	2
10	HALMESMAKI T	FIN	4	0	0	7	1	23
11	ATEM A	TUR	4	0	0	6	8	20
12	MOREIRA A	BRA	1	0	0	5	5	3
13	PREVOLARAKIS G	GRE	1	0	0	4	5	19
14	HORVATH D	SVK	1	0	0	3	4	21
15	PARK D	KOR	1	0	0	1	3	6
16	GRIGORYAN V	ARM	1	0	0	1	7	13
17	KLIMEK D	POL	0	0	0	0	6	25
18	BOUDJEMLINE A	ALG	0	0	0	0	8	14
19	PEGBA LOUIS PHILI.	CMR	0	0	0	0	11	9

Legend:		
CP	Classification Points	VSU
VPO	Technical Points obtained	VPO Given
VFA	Victory by Fall	Great Superiority - a difference of 6 points - the loser without point
		Technical Points given

### Competition Sheet 比赛对阵图

Qualifications		1/8 Finals		1/4 Finals		Semifinals		Finals	
2 DIBOMA M CMR		2 DIBOMA M CMR	1/1	4 RAVINDER KHATRI IND	0/0	5 SALEEV E RUS	0/0	10 HUSEYNOV R AZE	1/1
- BYE -									
4 RAVINDER KHATRI IND		4 RAVINDER KHATRI IND	3/5 VPO1	8 PARK S KOR	1/1	10 HUSEYNOV R AZE	5/4 VFA	21 LORINCZ V HUN	3/4 VPO1
- BYE -									
5 SALEEV E RUS		5 SALEEV E RUS	4/8 VSU	10 HUSEYNOV R AZE	3/5 VPO1	12 KUDLA DM GER	1/1	10 HUSEYNOV R AZE	1/1
- BYE -									
6 GEORGIAN C ROU		6 GEORGIAN C ROU	0/0	12 KUDLA DM GER	3/4 VPO1	12 KUDLA DM GER	3/6 VPO1	12 KUDLA DM GER	3/6 VPO1
- BYE -									
7 MICHAEL OT NGR		7 MICHAEL OT NGR	0/0	13 STADUB M BLR	1/1	13 STADUB M BLR	3/6 VPO1	13 STADUB M BLR	3/6 VPO1
- BYE -									
8 PARK S KOR		8 PARK S KOR	4/9 VSU	13 STADUB M BLR	0/0	13 STADUB M BLR	0/0	13 STADUB M BLR	0/0
- BYE -									
9 SHYSHMAN O UKR		9 SHYSHMAN O UKR	1/1	15 METWALLY M EGY	1/4	15 METWALLY M EGY	4/8 VSU	15 METWALLY M EGY	4/8 VSU
- BYE -									
10 HUSEYNOV R AZE		10 HUSEYNOV R AZE	3/2 VPO1	17 NGHIEM DH VIE	0/0	17 NGHIEM DH VIE	0/0	17 NGHIEM DH VIE	0/0
- BYE -									
11 FALLAH M IRI		11 FALLAH M IRI	1/1	18 GARCIA R PER	0/0	18 GARCIA R PER	0/0	18 GARCIA R PER	0/0
- BYE -									
12 KUDLA DM GER		12 KUDLA DM GER	3/6 VPO1	19 MICHALIK T POL	3/5 VPO	19 MICHALIK T POL	0/0	19 MICHALIK T POL	0/0
- BYE -									
13 STADUB M BLR	3/5 VPO	13 STADUB M BLR	3/6 VPO1	20 BASAR M TUR	1/1	20 BASAR M TUR	1/1	20 BASAR M TUR	1/1
14 MATUZEVICI US J	0/0	14 MATUZEVICI US J	0/0	21 LORINCZ V HUN	3/3 VPO1	21 LORINCZ V HUN	3/8 VSU	21 LORINCZ V HUN	3/8 VSU
- BYE -									
15 METWALLY M EGY	4/8 VSU	15 METWALLY M EGY	1/4	22 KHAN JKM QAT	0/0	22 KHAN JKM QAT	0/0	22 KHAN JKM QAT	0/0
17 NGHIEM DH VIE	0/0	17 NGHIEM DH VIE	0/0	23 PARISI F ITA	4/8 VSU	23 PARISI F ITA	1/1	23 PARISI F ITA	1/1
- BYE -									
18 GARCIA R PER	0/0	18 GARCIA R PER	0/0	24 YAO X CHN	5/4 VFA	24 YAO X CHN	0/0	24 YAO X CHN	0/0
19 MICHALIK T POL	3/5 VPO	19 MICHALIK T POL	0/0	25 NKABUKA A TAN	0/0	25 NKABUKA A TAN	0/0	25 NKABUKA A TAN	0/0
- BYE -									
20 BASAR M TUR	1/1	20 BASAR M TUR	1/1						
21 LORINCZ V HUN	3/3 VPO1	21 LORINCZ V HUN	4/8 VSU						
- BYE -									
22 KHAN JKM QAT	0/0	22 KHAN JKM QAT	0/0						
23 PARISI F ITA	4/8 VSU	23 PARISI F ITA	1/1						
24 YAO X CHN	5/4 VFA	24 YAO X CHN	3/2 VPO1						
25 NKABUKA A TAN	0/0	25 NKABUKA A TAN	0/0						

Draw number	Classification points		Victory type	
1	LASTNAME Firstname	NOC	3/5	VPO
Technical points				

<b>Gold</b>	
21	LORINCZ V HUN

<b>Silver</b>	
10	HUSEYNOV R AZE

## Competition Sheet

### 比赛对阵图

Repechage				CLASSIFICATION	
				1	LORINCZ V HUN
				2	HUSEYNOV R AZE
				3	SALEEV E RUS
				3	KUDLA DM GER
				5	SHYSHMAN O UKR
				5	BASAR M TUR
				7	YAO X CHN
				8	STADUB M BLR
				9	PARK S KOR
				10	METWALLY M EGY
				11	PARISI F ITA
				12	MICHALIK T POL
				13	RAVINDER KHATRI IND
				14	DIBOMA M CMR
				15	FALLAH M IRI
				16	NKABUKA A TAN
				17	MATUZEVICIUS J LTU
				18	GARCIA R PER
				19	KHAN JKM QAT
				20	GEORGIAN C ROU
				21	NGHIEM DH VIE
				22	MICHAEL OT NGR

Upper Branch				Lower Branch	
- BYE -				20	BASAR M TUR 3/2 VPO1
9	SHYSHMAN O UKR	3/3	VPO1	19	MICHALIK T POL 1/1
8	PARK S KOR	1/1		20	BASAR M TUR 3/3 VPO1
9	SHYSHMAN O UKR	1/1		24	YAO X CHN 1/1
5	SALEEV E RUS	3/2	VPO1	20	BASAR M TUR 0/0
5	SALEEV E RUS	3/2	VPO1	12	KUDLA DM GER 3/6 VPO
<b>Bronze</b>				<b>Bronze</b>	
5 SALEEV E RUS				12 KUDLA DM GER	



WUHAN 2019  
7th CISM Military World Games

THU 24 OCT 2019



CISM

## Final Classification

### 项目总排名

Rank	Name	Nation Code	CP	VFA	VSU	VPO	VPO Given	Draw No.
1	LORINCZ V	HUN	16	0	1	22	3	21
2	HUSEYNOV R	AZE	12	1	0	12	6	10
3	SALEEV E	RUS	11	0	2	19	5	5
3	KUDLA DM	GER	10	0	0	17	4	12
5	SHYSHMAN O	UKR	5	0	0	5	5	9
5	BASAR M	TUR	7	0	0	6	11	20
7	YAO X	CHN	9	1	0	7	9	24
8	STADUB M	BLR	7	0	0	12	8	13
9	PARK S	KOR	6	0	1	11	8	8
10	METWALLY M	EGY	5	0	1	12	6	15
11	PARISI F	ITA	5	0	1	9	2	23
12	MICHALIK T	POL	4	0	0	6	10	19
13	RAVINDER KHATRI	IND	3	0	0	5	10	4
14	DIBOMA M	CMR	1	0	0	1	5	2
15	FALLAH M	IRI	1	0	0	1	6	11
16	NKABUKA A	TAN	0	0	0	0	4	25
17	MATUZEVICIUS J	LTU	0	0	0	0	5	14
18	GARCIA R	PER	0	0	0	0	5	18
19	KHAN JKM	QAT	0	0	0	0	8	22
20	GEORGIAN C	ROU	0	0	0	0	8	6
21	NGHIEM DH	VIE	0	0	0	0	8	17
22	MICHAEL OT	NGR	0	0	0	0	9	7

Legend:		
CP	Classification Points	VSU
VPO	Technical Points obtained	VPO Given
VFA	Victory by Fall	Great Superiority - a difference of 6 points - the loser without point
		Technical Points given



### Competition Sheet 比赛对阵图

1/8 Finals		1/4 Finals		Semifinals		Finals	
1 HRABOVIK A BLR	3/3 VPO	1 HRABOVIK A BLR	1/1	5 KUOSMANEN ME FIN	3/3 VPO	5 KUOSMANEN ME FIN	1/1
2 von EUW D SUI	0/0	5 KUOSMANEN ME FIN	3/4 VPO1	12 DALAWUBAI A CHN	0/0	23 EVLOEV M RUS	3/2 VPO1
4 LAURINAITIS V LTU	0/0	6 ERSEK R HUN	0/0	19 HASSLER OA GER	0/0	23 EVLOEV M RUS	4/9 VSU
5 KUOSMANEN ME FIN	3/5 VPO	12 DALAWUBAI A CHN	4/9 VSU	22 IOSIFIDIS M GRE	0/0	23 EVLOEV M RUS	4/8 VSU
6 ERSEK R HUN	3/3 VPO1	14 MILLER D USA	1/1	23 EVLOEV M RUS	4/9 VSU		
7 BOUDJEMLINE A ALG	1/2	19 HASSLER OA GER	3/2 VPO1				
9 KOCI K ALB	0/0	20 HEIDARI A IRI	1/2				
12 DALAWUBAI A CHN	4/8 VSU	22 IOSIFIDIS M GRE	3/2 VPO1				
14 MILLER D USA	3/6 VPO	23 EVLOEV M RUS	4/8 VSU				
16 UMayEV I KAZ	0/0	24 JOSEPH UT NGR	0/0				
18 ALBINO D BRA	1/2						
19 HASSLER OA GER	3/5 VPO1						
20 HEIDARI A IRI	1/2						
22 IOSIFIDIS M GRE	3/2 VPO1						
23 EVLOEV M RUS	4/8 VSU						
24 JOSEPH UT NGR	0/0						

Draw number	Classification points
1	LASTNAME Firstname NOC 3/5 VPO
	Technical points Victory type

<b>Gold</b>
23 EVLOEV M RUS
<b>Silver</b>
5 KUOSMANEN ME FIN

#### Repechage

<b>Upper Branch</b>	4 LAURINAITIS V LTU 1/1	1 HRABOVIK A BLR 3/5 VPO1	<b>Bronze</b>	1 HRABOVIK A BLR
	1 HRABOVIK A BLR 3/2 VPO1	12 DALAWUBAI A CHN 1/1		
<b>Lower Branch</b>	24 JOSEPH UT NGR 0/0	22 IOSIFIDIS M GRE 0/5	<b>Bronze</b>	19 HASSLER OA GER
	22 IOSIFIDIS M GRE 4/8 VSU	19 HASSLER OA GER 5/3 VFA		

CLASSIFICATION		
1	EVLOEV M	RUS
2	KUOSMANEN ME	FIN
3	HRABOVIK A	BLR
3	HASSLER OA	GER
5	DALAWUBAI A	CHN
5	IOSIFIDIS M	GRE
7	MILLER D	USA
8	ERSEK R	HUN
9	HEIDARI A	IRI
10	BOUDJEMLINE A	ALG
11	ALBINO D	BRA
12	LAURINAITIS V	LTU
13	von EUW D	SUI
14	UMAYEV I	KAZ
15	KOCI K	ALB
16	JOSEPH UT	NGR



WUHAN 2019  
7th CISM Military World Games



### Final Classification

#### 项目总排名

Rank	Name	Nation Code	CP	VFA	VSU	VPO	VPO Given	Draw No.
1	EVLOEV M	RUS	15	0	3	27	1	23
2	KUOSMANEN ME	FIN	10	0	0	13	3	5
3	HRABOVIK A	BLR	10	0	0	11	6	1
3	HASSLER OA	GER	11	1	0	10	17	19
5	DALAWUBAI A	CHN	9	0	2	18	8	12
5	IOSIFIDIS M	GRE	7	0	1	15	13	22
7	MILLER D	USA	4	0	0	7	2	14
8	ERSEK R	HUN	3	0	0	3	11	6
9	HEIDARI A	IRI	1	0	0	2	2	20
10	BOUDJEMLINE A	ALG	1	0	0	2	3	7
11	ALBINO D	BRA	1	0	0	2	5	18
12	LAURINAITIS V	LTU	1	0	0	1	7	4
13	von EUW D	SUI	0	0	0	0	3	2
14	UMAYEV I	KAZ	0	0	0	0	6	16
15	KOCI K	ALB	0	0	0	0	8	9
16	JOSEPH UT	NGR	0	0	0	0	16	24

Legend:		
CP	Classification Points	VSU
VPO	Technical Points obtained	VPO Given
VFA	Victory by Fall	Great Superiority - a difference of 6 points - the loser without point
		Technical Points given

### Competition Sheet 比赛对阵图

Qualifications		1/8 Finals		1/4 Finals		Semifinals		Finals	
2 LAM B HUN		2 LAM B HUN	3/3 VPO1	2 LAM B HUN	0/0	5 CHERNETSK YY O UKR	0/0	11 KAYAALP R TUR	3/3 VPO1
- BYE -									
3 FRIDRIKAS R LTU		3 FRIDRIKAS R LTU	1/1						
- BYE -									
4 OVASAPYAN D ARM		4 OVASAPYAN D ARM	1/2	5 CHERNETSK YY O UKR	5/7 VFA				
- BYE -									
5 CHERNETSK YY O UKR		5 CHERNETSK YY O UKR	3/3 VPO1						
- BYE -									
6 ABDALLAH B TAN		6 ABDALLAH B TAN	0/0	7 POPP E GER	1/1				
- BYE -									
7 POPP E GER		7 POPP E GER	5/6 VFA						
- BYE -									
9 MIRZAZADEH A IRI		9 MIRZAZADEH A IRI	1/2	11 KAYAALP R TUR	3/5 VPO1				
- BYE -									
11 KAYAALP R TUR		11 KAYAALP R TUR	3/5 VPO1						
- BYE -									
12 RUDAKOU P BLR		12 RUDAKOU P BLR	3/4 VPO1	12 RUDAKOU P BLR	0/0				
- BYE -									
15 ERICKSON T USA		15 ERICKSON T USA	1/3						
- BYE -									
16 LEONARD ISTVAN B ROU		16 LEONARD ISTVAN B ROU	5/0 VIN	16 LEONARD ISTVAN B ROU	5/8 VCA				
- BYE -									
17 KARGIOTAKI S I GRE		17 KARGIOTAKI S I GRE	0/0						
- BYE -									
18 AHMED A EGY		18 AHMED A EGY	3/7 VPO	18 AHMED A EGY	1/1				
- BYE -									
19 QIAYISUOLE TAN M CHN		19 QIAYISUOLE TAN M CHN	0/0						
- BYE -									
20 NABI H EST		20 NABI H EST	3/4 VPO	20 NABI H EST	3/3 VPO1				
- BYE -									
23 BOLTIN O KAZ	0/0			20 NABI H EST	3/3 VPO1				
24 HALOUI H ALG	4/8 VSU	24 HALOUI H ALG	0/0						

Draw number		Classification points		Victory type	
1	LASTNAME Firstname	NOC	3/5	VPO	
		Technical points			

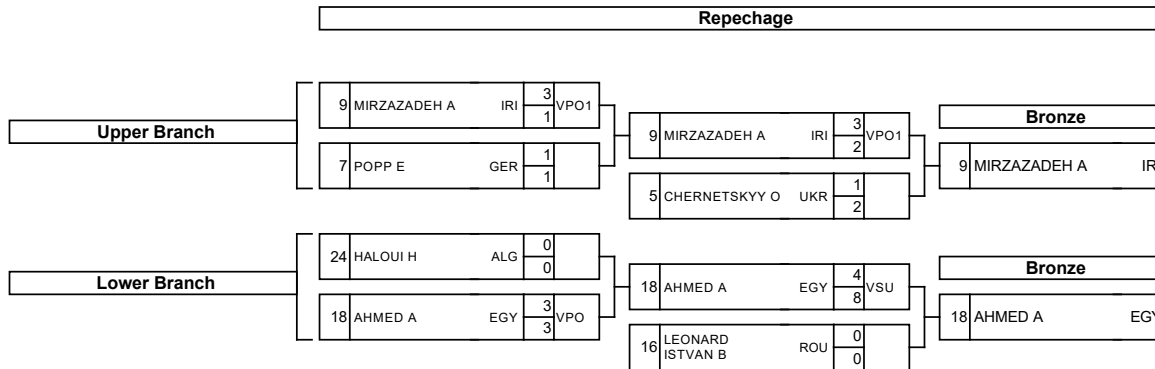
Gold	
11	KAYAALP R TUR

Silver	
20	NABI H EST

## Competition Sheet

### 比赛对阵图



CLASSIFICATION		
1	KAYAALP R	TUR
2	NABI H	EST
3	MIRZAZADEH A	IRI
3	AHMED A	EGY
5	CHERNETSKYY O	UKR
5	LEONARD ISTVAN B	ROU
7	POPP E	GER
8	HALOUI H	ALG
9	RUDAKOU P	BLR
10	LAM B	HUN
11	ERICKSON T	USA
12	OVASAPYAN D	ARM
13	FRIDRIKAS R	LTU
14	KARGIOTAKIS I	GRE
15	ABDALLAH B	TAN
16	QIAYISUOLETAN M	CHN
17	BOLTIN O	KAZ



WUHAN 2019  
7th CISM Military World Games

THU 24 OCT 2019



CISM

## Final Classification

### 项目总排名

Rank	Name	Nation Code	CP	VFA	VSU	VPO	VPO Given	Draw No.
1	KAYAALP R	TUR	13	0	1	22	4	11
2	NABI H	EST	10	0	0	11	5	20
3	MIRZAZADEH A	IRI	7	0	0	5	8	9
3	AHMED A	EGY	11	0	1	19	3	18
5	CHERNETSKYY O	UKR	9	1	0	12	13	5
5	LEONARD ISTVAN B	ROU	11	0	0	9	11	16
7	POPP E	GER	7	1	0	8	6	7
8	HALOUI H	ALG	4	0	1	8	7	24
9	RUDAKOU P	BLR	3	0	0	4	11	12
10	LAM B	HUN	3	0	0	3	8	2
11	ERICKSON T	USA	1	0	0	3	4	15
12	OVASAPYAN D	ARM	1	0	0	2	3	4
13	FRIDRIKAS R	LTU	1	0	0	1	3	3
14	KARGIOTAKIS I	GRE	0	0	0	0	0	17
15	ABDALLAH B	TAN	0	0	0	0	6	6
16	QIAYISUOLETAN M	CHN	0	0	0	0	7	19
17	BOLTIN O	KAZ	0	0	0	0	8	23

Legend:		
CP	Classification Points	VSU
VPO	Technical Points obtained	VPO Given
VFA	Victory by Fall	Great Superiority - a difference of 6 points - the loser without point
		Technical Points given